



TOPSTAR TECHNOLOGY INDUSTRIAL CO., LIMITED

产 品 规 格 书

Product Specification Sheet

TOP-XFP-10G-ZR

RoHS Compliant 10Gb/s XFP 1550nm 80km Optical Transceiver



E-MAIL: lisa@topsf.com





PRODUCT FEATURES

- Hot pluggable
- Support 9.95Gb/s to 11.1Gb/s bit rates
- Below <1.8W power dissipation
- XFP MSA package with duplex LC connector
- Digital Diagnostic Monitor Interface
- Very low EMI and excellent ESD protection
- Cooled 1550nm EML laser and APD Receiver
- Up to 80KM for single mode fiber
- operating temperature range 0°C to 70°C
- No reference clock requirement

APPLICATIONS

- 10GBASE-ZR/ZW Ethernet
- SONET OC-192/SDH STM-64
- Other optical links

STANDARD

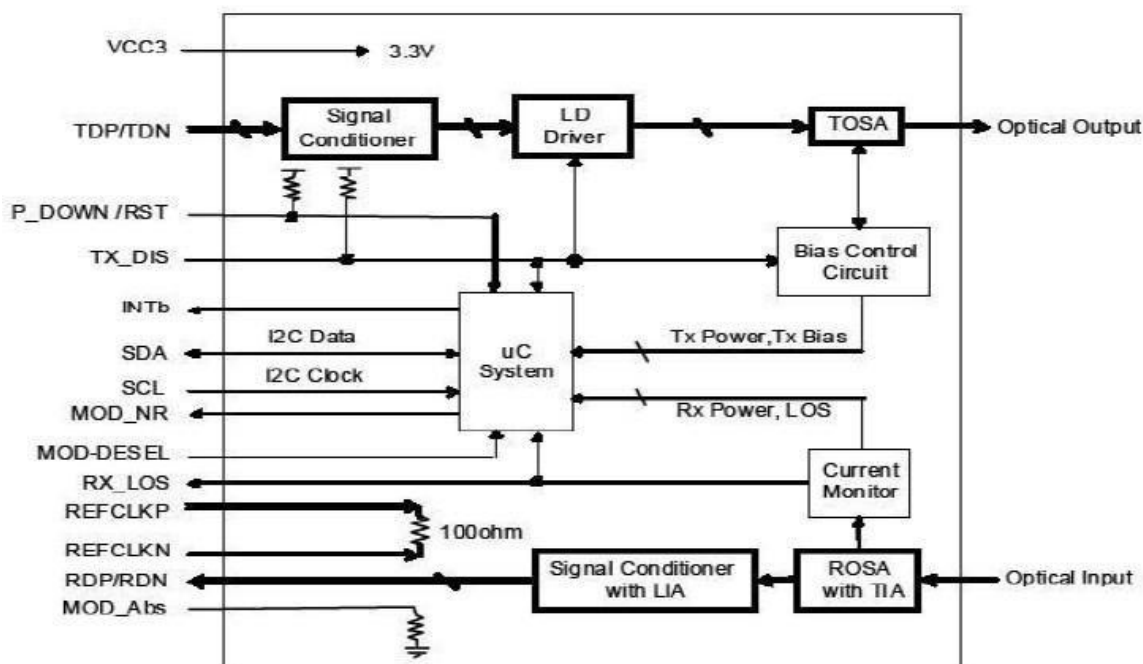
- XFP MSA Compliant
- SFF-8472 revision 9.5 compliant
- IEEE 802.3-2005 compliant
- Telcordia GR-468-CORE compliant
- FCC 47 CFR Part 15, Class B compliant
- FDA 21 CFR 1040.10 and 1040.11, class 1 compliant
- RoHS compliant



PRODUCT DESCRIPTIONS

XFP 10G 80KM 1550nm transceivers are de-signed for 10G Ethernet10GBASE-ZR/ZW per 802.3ae and 10GSOIOC-192/SDHSTM-64,and it can support data-rate from 9.953Gb/s to11.1Gb/s. Digital diagnostics are available via I2C interface as specified in the XFPMSA. The transceiver designs are optimized for high per-formance and cost effective to supply customers the best solutions for data-comand telecom applications.

FUNCTIONAL DIAGRAM



ABSOLUTE MAXIMUM RATINGS

Parameter	Symbol	Min	Max	Unit	Note
Supply Voltage	Vc	-0.5	4.0	V	
Storage Temperature		-40	85	°C	
Relative Humidity			85	%	

Note: Stress in excess of the maximum absolute ratings can cause permanent damage to the module



GERERAL OPERATING CHARACTERISTICS

Paramet		Symbol	Min.	Typ	Max.	Unit	Note
DataRate	Ethernet			10.3125		Gb/s	
	FiberChannel			9.953			
SupplyVoltage		Vc	3.14	3.3	3.46	V	
		Vc				V	
SupplyCurrent		Icc				mA	
		Icc			550	mA	
OperatingCaseTemp.		T	0		70	°C	

ELECTRICAL INPUT/OUTPUT CHARACTERISTICS

Transmitter

Paramet		Symbol	Min.	Typ	Max.	Unit	Note
Diff.inputvoltageswing			120		820	mVpp	1
TxDisableinput	H	VIH	2.0		Vcc+0.3	V	
	L	VIL	0		0.8		
TxFaultoutput	H	VOH	2.0		Vcc+0.3	V	2
	L	VOL	0		0.8		
InputDiff.Impedance		Zin		100		Ω	

Receiver

Paramet		Symbol	Min.	Typ	Max.	Unit	Note
Diff.outputvoltageswing			340	650	800	mVpp	3
RxLOSOutput	H	VOH	2.0		Vcc+0.3	V	2
	L	VOL	0		0.8		

Note1)TD+/-are internally AC coupled with100Ω differential termination inside the module.

Note2)Tx Fault and RxLOS are open collector outputs, which should be pulled up with 4.7k to10kΩ resistors on the host board. Pull up voltage between2.0V and Vcc+0.3V.

Note3)RD+/- outputs are internally AC coupled, and should be terminated with100Ω(differential)at the user SERDES.



OPTICAL CHARACTERISTICS

Transmitter(0~70 @10.3125Gb/s)

Paramet	Symbol	Min.	Typ	Max.	Unit	Note
OperatingWavelength		1530		1565	nm	
Ave.outputpower(Enabled)	Po	0		4	dBm	1
ExtinctionRatio	ER	9			dB	1
RMS spectralwidth	$\Delta\lambda$			1	nm	
Rise/Falltime(20%~80%)	Tr/Tf			50	ps	2
Opticalmodulationamplitude	OMA	-2.1			dBm	
Dispersionpenalty				2	dB	
OutputOpticalEye	IEEE802.3-2005Compliant					

Receiver(0~70 @10.3125Gb/s)

Paramete	Symbol	Min.	Typ	Max.	Unit	Note
OperatingWavelength		1270		1600	nm	
Sensitivit	Psen			-23	dBm	3
Min.overload	Pimax	-7			dBm	
LOSAssert	Pa	-37			dBm	
LOSDe-assert	Pd			-25	dBm	
LOSHysteresis	Pd-Pa	0.5		4	dB	

Note1)Measured at 10.3125b/s with PRBS231-1NRZtestpattern.

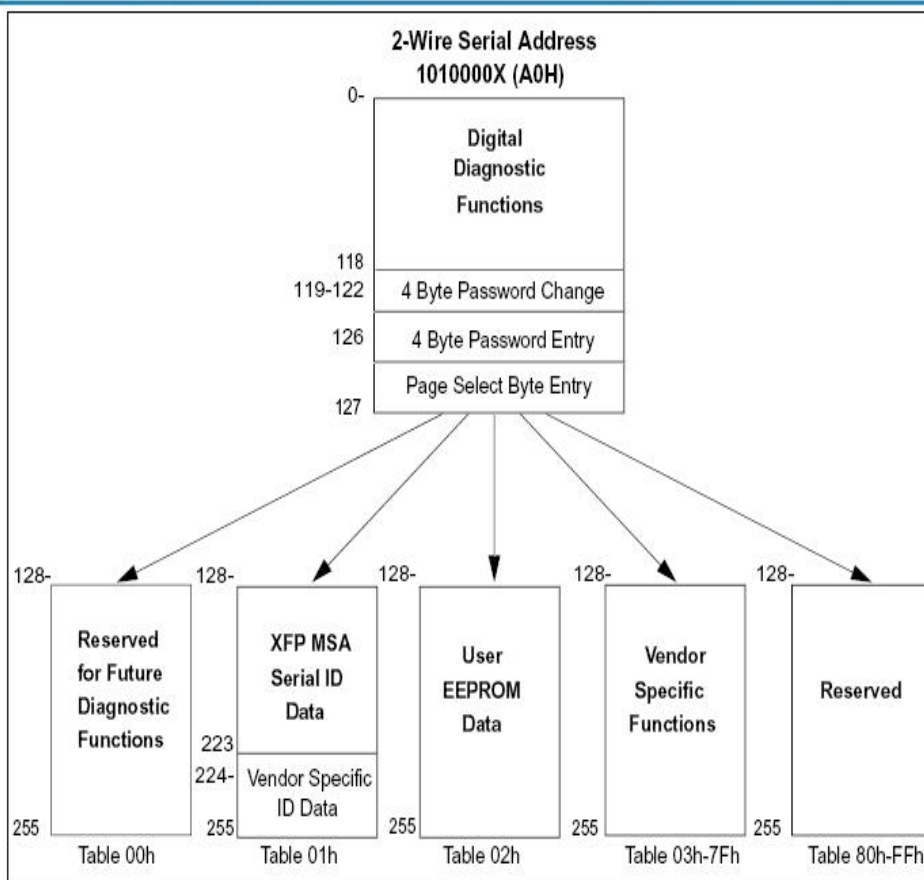
Note2)20%~80%

Note3)Under the ER worst case, measured at 10.3125Gb/s with PRBS231 -1NRZ test pattern for BER< 1x10-12

SERIAL INTERFACE FOR ID AND DDM

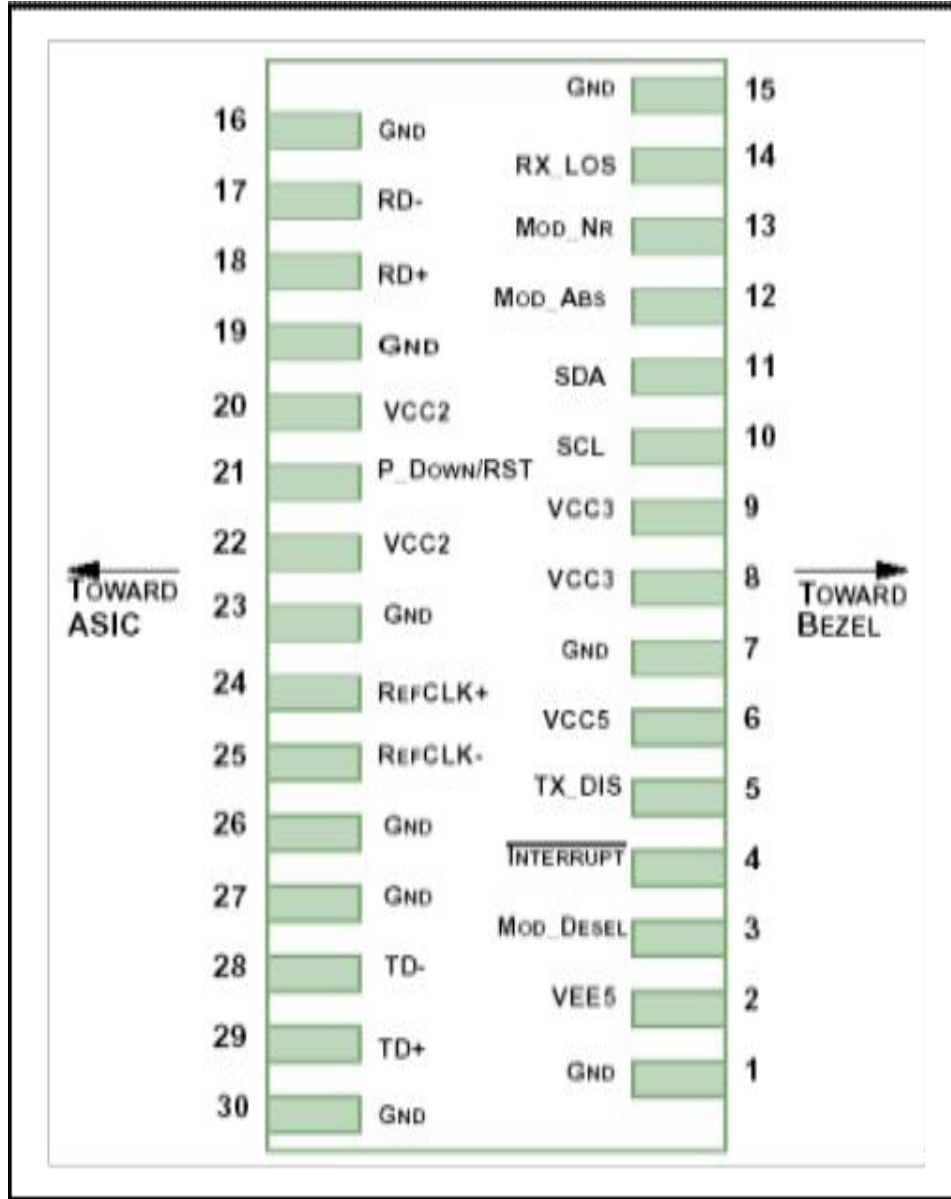
The XFP modules implement the 2-wire serial communication protocol as defined in the XFP MSA. The serial ID information of the XFP modules and Digital Diagnostic Monitor parameters can be accessed through the I2C interface at address A0h and A2h. The memory is mapped in Table 1. Detailed ID information (A0h) is listed in Table 2. And the DDM specification (A2h) is described in Table 3. For more details of the memory map and byte definitions, please refer to the SFF-8472 (Rev 9.3, Aug. 2002), "Digital Diagnostic Monitoring Interface for Optical Transceivers". The DDM parameters have been internally calibrated.

Table 1. Digital Diagnostic Memory Map (Specific Data Field Descriptions)





PIN DEFINITIONS AND FUNCTIONS



PIN#	Nam	Function	Name/Descri	Notes
1		GND	ModuleGround	1
2		VEE5	Optional-5.2VPowerSupply (Not required)	
3	LVTTTL-I	MOD_DESEL	ModuleDe-select;Whenheldlowallowsthemoduletorespond to2-wire serialinterface	



4	LVTTTL-O	INTb	Interrupt;Indicatespresenceofanimportantconditionwhichcan bereadviathe2-wireserialinterface	2
5	LVTTTL-I	TX_DIS	Transmitter Disable;Turns off transmitterlaseroutput	
6		VCC5	+5VPowerSupply(Notrequired)	
7		GND	ModuleGround	1
8		VCC3	+3.3VPowerSupply	
9		VCC3	+3.3VPowerSupply	
10	LVTTTL-I/O	SCL	2-WireSerialInterface Clock	2
11	LVTTTL-I/O	SDA	2-WireSerialInterface DataLine	2
12	LVTTTL-O	MOD_Abs	Indicates Moduleis not present.Groundedin the Module	2
13	LVTTTL-O	MOD_NR	Module Not Ready; IndicatingModuleOperationalFault	2
14	LVTTTL-O	RX_LOS	ReceiverLoss Of SignalIndicator	2
15		GND	ModuleGround	1
16		GND	ModuleGround	1
17	CML-O	RDN	ReceiverInverted DataOutput	
18	CML-O	RDP	Receiver Non-InvertedDataOutput	
19		GND	ModuleGround	1
20		VCC2	+1.8VPowerSupply(Not required).	3
21	LVTTTL-I	P_DOWN/RST	Powerdown; Whenhigh,requiresthemodule tolimitpower consumptionto1.5Worbelow.2-Wireserialinterfacemustbe functionalinthelowpower mode.	
21	LVTTTL-I	P_DOWN/RST	Reset;Thefallingedgeinitiatesacompleteresetofthemodule includingthe2-wire serialinterface, equivalent toapower	
22		VCC2	+1.8VPowerSupply(Not required)	3
23		GND	ModuleGround	1
24	PECL-I	REFCLKP	Not used, internallyterminatedto50ohm (100ohm diff).	4
25	PECL-I	REFCLKN	Not used, internallyterminatedto50ohm (100ohm diff).	4
26		GND	ModuleGround	1
27		GND	ModuleGround	1
28	CML-I	TDN	TransmitterInverted DataInput	
29	CML-I	TDP	Transmitter Non-InvertedData Input	
30		GND	ModuleGround	1

Note:1.Module ground pins GND are isolated from the module case and chassis ground within the module.

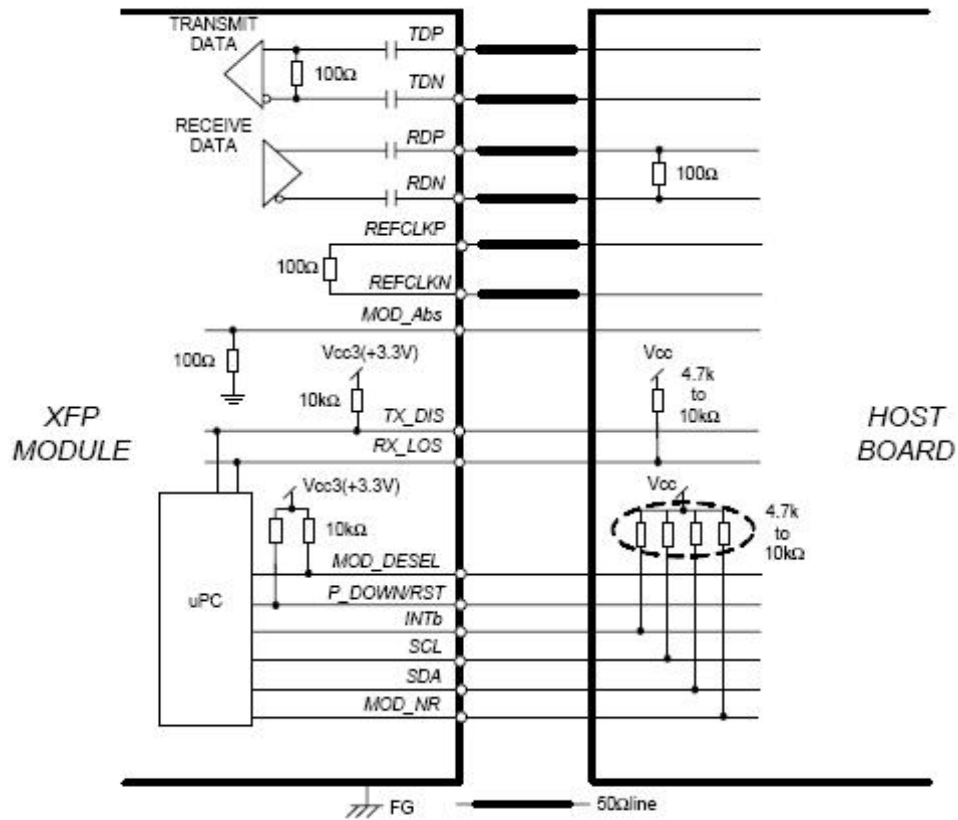
2.Open collector;Shall be pulled up with4.7K-10Kohms to a voltage between3.15V and 3.6V on the host board.

3.The pins are open within module.

4.Reference C lock is not required.

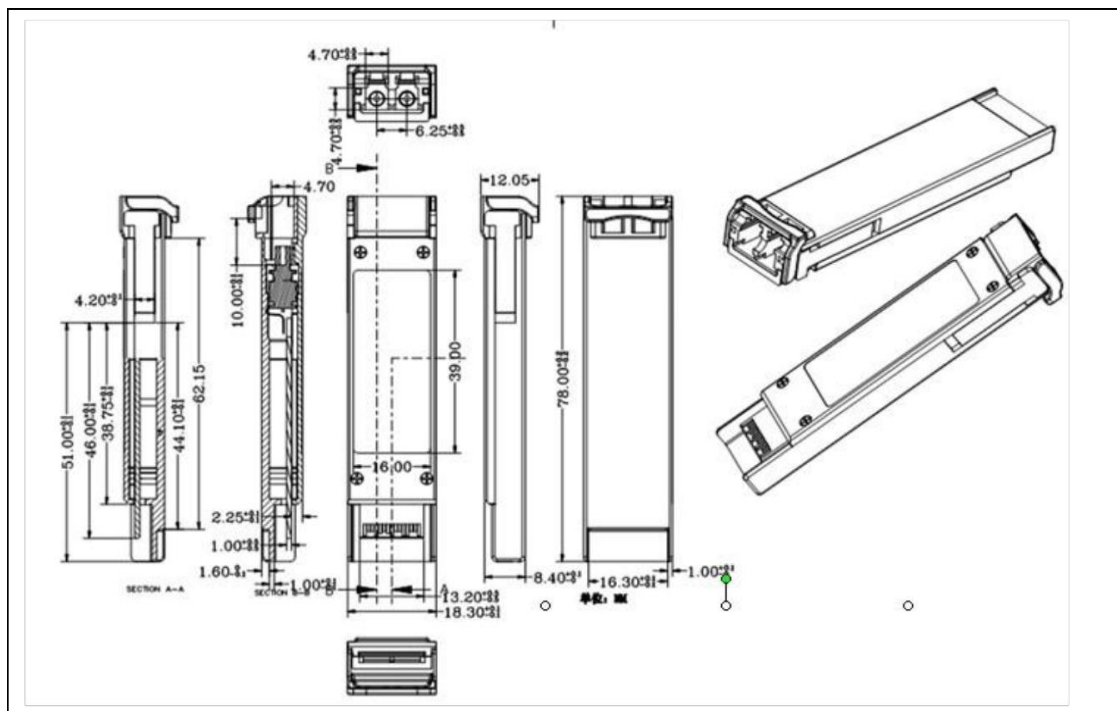


TYPICAL INTERFACE CIRCUIT





PACKAGE DIMENSIONS



ORDERING INFORMATION

PartNumber	Description
TOP-XFP-10G-SR	XFP ,10.3125Gbps,850nm,300m,0~70°C ,with DDM
TOP-XFP-10G-LR	XFP,10.3125Gbps,1310nm,10km,0~70°C ,with DDM
TOP-XFP-10G-ER	XFP,10.3125Gbps,1550nm,40KM,0~70°C ,withDDM
TOP-XFP-10G-ZR	XFP,10.3125Gbps,1550nm,80KM,0~70°C ,withDDM



TOPSTAR TECHNOLOGY INDUSTRIAL CO., LIMITED

Topstar Technology Industrial Co., Ltd

**Add: F5, Rongcheng Building, 28 Yayuan Road Wuhe Community,
BanTian Street, Shenzhen, China**

Tel: +86 755 8255 2969 Email:lisa@topsfp.com

Skype: lisalin6565 Whatsapp: +86 13798265065

Wechat: 251081707

Facebook and Linked in: Topstar Technology Industrial Co., Ltd

