



TOPSTAR TECHNOLOGY INDUSTRIAL CO., LIMITED

产 品 规 格 书

Product Specification Sheet

TOP-BIDI-XFP-ER+-60B

RoHS Compliant 10Gb/s XFP Tx1330nm/Rx1270nm 60km Optical Transceiver



E-MAIL: lisa@topsfp.com





PRODUCT FEATURES

- Hot pluggable
- Support 9.95Gb/s to 11.1Gb/s bit rates
- Below <1.8w power consumption
- XFPMSA package with LC connector
- Digital Diagnostic Monitor Interface
- Very low EMI and excellent ESD protection
- Uncooled 1330nm DFB laser
- +3.3V single power supply
- operating temperature range 0°C to 70°C
- No reference clock requirement

APPLICATIONS

- 10GBASE-BX 10.3125Gb/s Ethernet
- 10GBASE-BX 9.953Gb/s Ethernet
- SONETOC-192 &SDH STM I-64.1

STANDARD

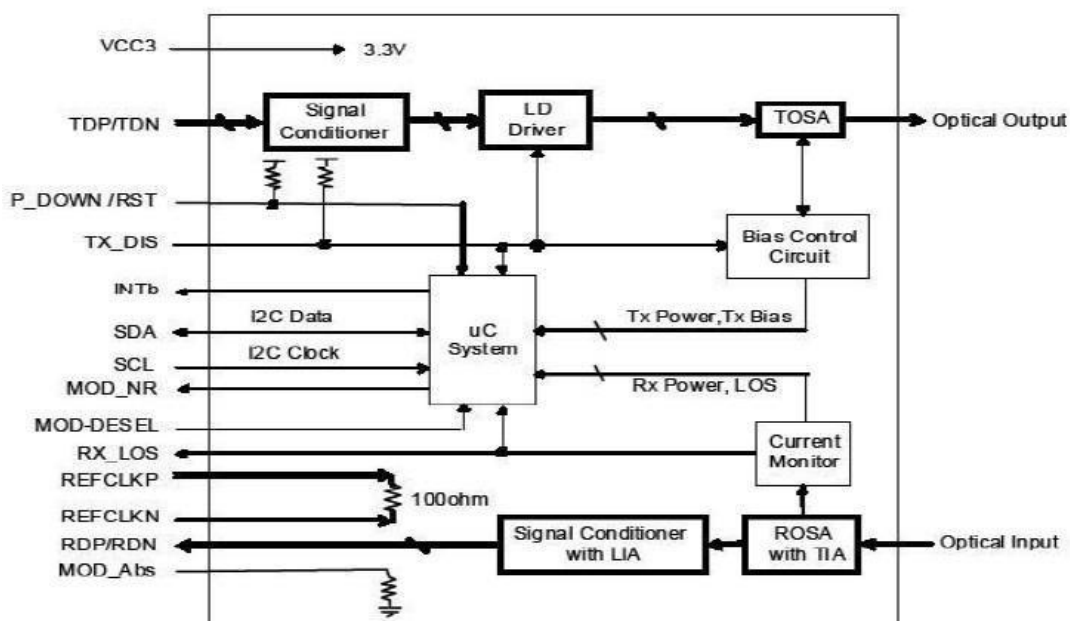
- XFPMSA Compliant
- SFF-8472 reversion 9.5 compliant
- IEEE802.3-2005 compliant
- Telcordia GR-468-CORE compliant
- FCC47 CFR Part15,ClassB compliant
- FDA21 CFR1040.10 and 1040.11,class 1 compliant
- RoHS compliant



PRODUCT DESCRIPTIONS

- XFP 10G 60KM 1330 transceivers are designed for 10GEthernet 10GBASE-LR/LWper802.3ae and 10GSIOIC-192/SDHSTM-64,and it can support data-rate from 9.953Gb/s to 11.1Gb/s. Digital diagnostics are available via I2C interface as specified in the XFPMSA.
- The transceiver designs are optimized for high performance and cost effective to supply customers the best solutions for data-comand telecom applications.

FUNCTIONALDIAGRAM



ABSOLUTE MAXIMUM RATINGS

Parameter	Symbol	Mi	Max	Unit	Note
Supply Voltage	Vcc	-0.5	4.0	V	
Storage Temperature		-40	85	°C	
Relative Humidity			85	%	

Note: Stress in excess of the maximum absolute ratings can cause permanent damage to the module



GENERAL OPERATING CHARACTERISTICS

Paramet	Symbol	Min.	Typ	Max.	Unit	Note
Data Rate	Ethernet		10.3125		Gb/s	
	Fiber Channel		9.953			
Supply Voltage	Vcc	3.14	3.3	3.46	V	
	Vcc				V	
Supply Current	Icc5				mA	
	Icc3			500	mA	
Operating Case Temp.	Tc	0		70	°C	

ELECTRICAL INPUT/OUTPUT CHARACTERISTICS

Transmitter

Paramet	Symbol	Min.	Typ	Max.	Unit	Note
Diff. input voltage swing		120		820	mVpp	1
Tx Disable input	H	VIH	2.0	Vcc+0.	V	
	L	VIL	0	0.8		
Tx Fault output	H	VOH	2.0	Vcc+0.	V	2
	L	VOL	0	0.8		
Input Diff. Impedance	Zin		100		Ω	

Receiver

Paramet	Symbol	Min.	Typ	Max.	Unit	Note
Diff. output voltage swing		340	650	800	M Vpp	3
Rx LOS Output	H	VOH	2.0	Vcc+0.3	V	2
	L	VOL	0	0.		

Note1)TD+/-are internally AC coupled with 100Ω differential termination inside the module.

Note2)Tx Fault and Rx LOS are open collector outputs, which should be pulled up with 4.7k to10kΩ resistors on the host board. Pull up voltage between2.0V and Vcc+0.3V.

Note3)RD+/- outputs are internally AC coupled, and should be terminated with100Ω(differential)at the user SERDES.



OPTICAL CHARACTERISTICS

Transmitter(0~70 @10.3125Gb/s)

Parame	Symbol	Min.	Typ	Max.	Unit	Note
Operating Wavelength		1320	1330	1340	nm	
Ave. output power(Enabled)	P _o	0		5	dBm	1
Extinction Ratio	E	3.			d	1
RMS spectral width	Δ			1	n	
Rise/Fall time(20%~80%)	Tr/Tf			5	p	2
Optical modulation amplitude	OMA	-5.1			dBm	
Dispersion penalty				2	d	
Output Optical Eye	IEEE802.3-2005Compliant					

Receiver(0~70 @10.3125Gb/s)

Paramet	Symbol	Min.	Typ	Max.	Unit	Note
Operating Wavelength		1260	1270	1280	nm	
Sensitivi	P _{sen}			-20	dBm	3
Min. overload	P _{imax}	-7			dBm	
LOS Assert	P	-38			dBm	
LOS De-assert	P			-21	dBm	
LOS Hysteresis	P _d -P _a	0.5		4	dB	

Note1)Measured at10.3125b/s with PRBS231–1NRZ test pattern.

Note2)20%~80%

Note3)Under the ER worst case, measured at 10.3125Gb/s with PRBS231 -1NRZ test pattern for BER< 1x10-12



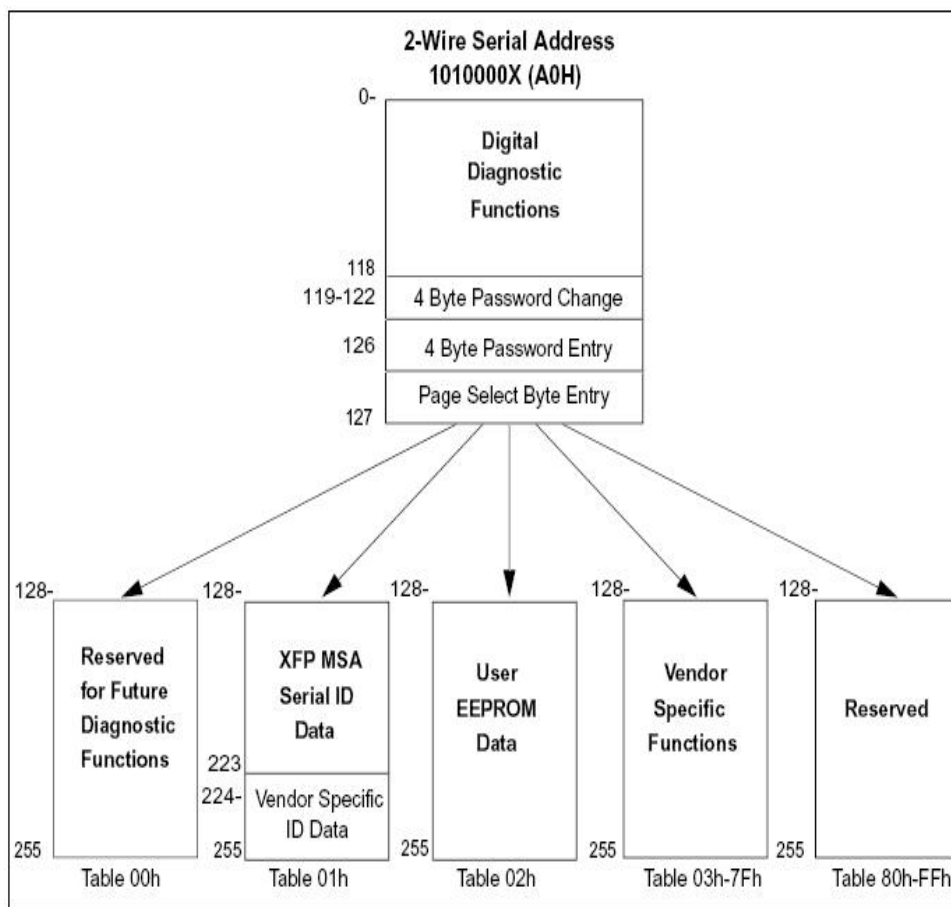
SERIAL INTERFACE FOR ID AND DDM

The XFP modules implement the 2-wire serial communication protocol as defined in the XFPMSA.

The serial ID information of the XFP modules and Digital Diagnostic Monitor parameters can be accessed through the I2C interface at address A0h and A2h. The memory is mapped in Table1. Detailed ID information(A0h) is listed in Table2. And the DDM specification (A2h) is described in Table3. For more details of the memory map and byte definitions, please refer to the SFF-8472(Rev9.3, Aug.2002), "Digital Diagnostic Monitoring Interface for Optical Transceivers".

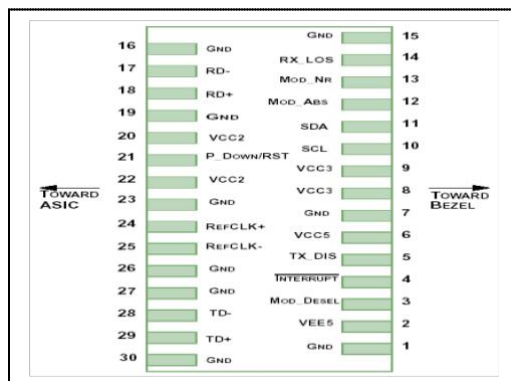
The DDM parameters have been internally calibrated.

Table1. Digital Diagnostic Memory Map (Specific Data Field Descriptions)





PIN DEFINITIONS AND FUNCTIONS



PIN#	Na	Function	Name/Descr	Notes
1		GND	Module Ground	1
2		VEE5	Optional-5.2VPowerSupply (Not required)	
3	LVTTTL-I	MOD_DESEL	Module De- select; When held low allows the module to respond to2-wire serial interface	
4	LVTTTL-O	INTb	Interrupt; Indicates presence of an important condition which can bereadviathe2-wireserialinterface	2
5	LVTTTL-I	TX_DIS	Transmitter Disable; Turns off transmitter laser output	
6		VCC5	+5VPowerSupply(Not required)	
7		GND	Module Ground	1
8		VCC3	+3.3VPowerSupply	
9		VCC3	+3.3VPowerSupply	
10	LVTTTL-I/O	SCL	2-WireSerialInterface Clock	2
11	LVTTTL-I/O	SDA	2-WireSerialInterface Data Line	2
12	LVTTTL-O	MOD_Abs	Indicates Module is not present. Grounded in the Module	2
13	LVTTTL-O	MOD_NR	Module Not Ready; IndicatingModuleOperationalFault	2
14	LVTTTL-O	RX_LOS	Receiver Loss Of Signal Indicator	2
15		GND	Module Ground	1
16		GND	Module Ground	1
17	CML-O	RDN	Receiver Inverted Data Output	
18	CML-O	RDP	Receiver Non-Inverted Data Output	
19		GND	Module Ground	1
20		VCC2	+1.8VPowerSupply(Not required).	3
21	LVTTTL-I	P_DOWN/RST	Power down; When high, requires the module to limit power consumption to 1.5W or below. 2-Wire serial interface must be functional in the low power mode.	

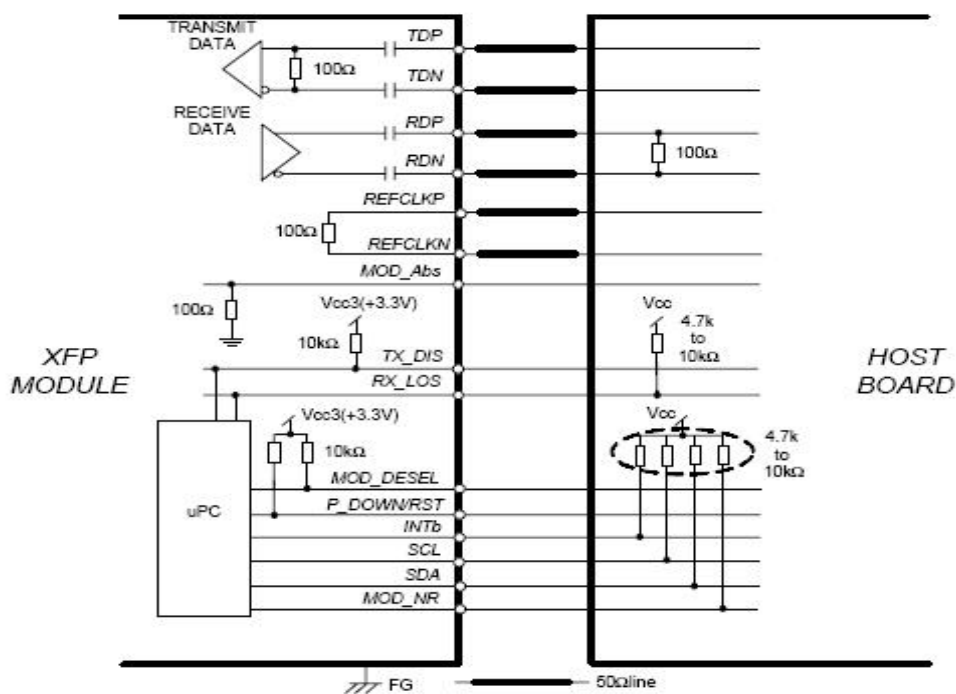


21	LVTTL-I	P_DOWN/RST	Reset; The falling edge initiates a complete reset of the module including the 2-wire serial interface, equivalent to a power cycle.	
22		VCC2	+1.8V Power Supply (Not required)	3
23		GND	Module Ground	1
24	PECL-I	REFCLKP	Not used, internally terminated to 50ohm (100ohm diff).	4
25	PECL-I	REFCLKN	Not used, internally terminated to 50ohm (100ohm diff).	4
26		GND	Module Ground	1
27		GND	Module Ground	1
28	CML-I	TDN	Transmitter Inverted Data Input	
29	CML-I	TDP	Transmitter Non-Inverted Data Input	
30		GND	Module Ground	1

Note:

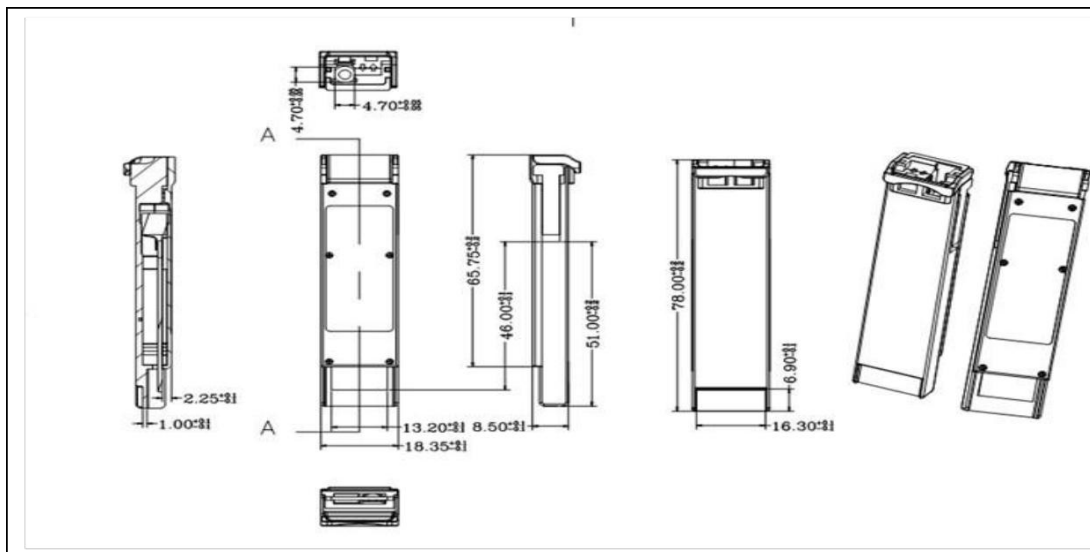
1. Module ground pins GND are isolated from the module case and chassis ground within the module.
2. Open collector; Shall be pulled up with 4.7K-10Kohms to a voltage between 3.15V and 3.6V on the host board.
3. The pins are open within module.
4. Reference Clock is not required.

TYPICAL INTERFACE CIRCUIT





PACKAGE DIMENSIONS



ORDERING INFORMATION

Part Number	Description
TOP-BIDI-XFP-20A	XFP BiDi, 10.3125Gbps, 1270nm, 20KM, 0~70°C, with DDM
TOP-BIDI-XFP-20B	XFP BiDi, 10.3125Gbps, 1330nm, 20KM, 0~70°C, with DDM
TOP-BIDI-XFP-ER-40A	XFP BiDi, 10.3125Gbps, 1270nm, 40KM, 0~70°C, with DDM
TOP-BIDI-XFP-ER-40B	XFP BiDi, 10.3125Gbps, 1330nm, 40KM, -5~70°C, with DDM
TOP-BIDI-XFP-ZR-80A	XFP BiDi, 10.3125Gbps, 1270nm, 80KM, -5~70°C, with DDM
TOP-BIDI-XFP-ZR-80B	XFP BiDi, 10.3125Gbps, 1330nm, 80KM, -5~70°C, with DDM



TOPSTAR TECHNOLOGY INDUSTRIAL CO., LIMITED

Topstar Technology Industrial Co., Ltd

Add: F5, Rongcheng Building, 28 Yayuan Road Wuhe Community, BanTian Street, Shenzhen, China

Tel:+86 755 8255 2969 Email: lisa@topsf.com

Skype: [lisalin6565](https://www.skype.com/user/lisalin6565) WhatsApp: +86 13798265065

WeChat: 251081707

Facebook and Linked in: Topstar Technology Industrial Co., Ltd

