



TOPSTAR TECHNOLOGY INDUSTRIAL CO., LIMITED

产品规格书

Product Specification Sheet

TOP-CWDM-XX-2.5-80

RoHS Compliant 2.5G SFP CWDM 80KM Transceiver



E-MAIL: lisa@topsf.com





PRODUCT FEATURES

- Up to 2.5Gb/s data links
- DFB laser transmitter and APD receiver
- Up to 80KM on 9/125μm SMF
- Hot-pluggable SFP footprint
- Duplex LC/UPC type pluggable optical interface
- Low power dissipation
- Metal enclosure, for lower EMI
- RoHS compliant and lead-free
- Single +3.3V power supply
- Support Digital Diagnostic Monitoring interface
- Compliant with SFF-8472
- Case operating temperature: 0°C to +70°C

APPLICATIONS

- Switch to Switch Interface
- Fast Ethernet
- Switched Backplane Applications
- Router/Server Interface
- Other Optical Links

STANDARD

- SFP+MSA Compliant
- SFF-8472 revision 9.5 compliant
- IEEE 802.3-2005 compliant
- Telcordia GR-468-CORE compliant
- FCC 47 CFR Part 15, Class B compliant
- FDA 21 CFR 1040.10 and 1040.11, class 1 compliant
- RoHS compliant

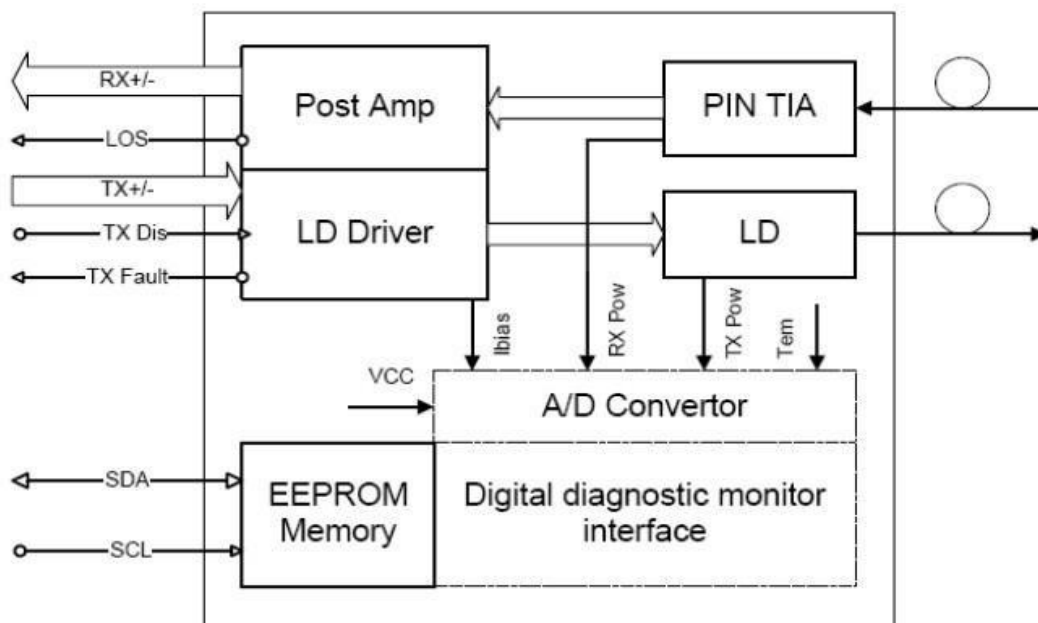


PRODUCT DESCRIPTIONS

TOP-CWDM-XX-2.5-80 optical transceivers are designed for optical interfaces for data communications with

single mode fiber(SMF). The transceiver designs are optimized for high performance and cost effective to supply customers the best solutions for telecom applications.

FUNCTIONAL DIAGRAM





PRODUCT SELECTION

Wavelength	XX	ClaspColorCode	Wavelength	XX	ClaspColorCode
1270nm	27	Gray	1450nm	45	Brown
1290nm	29	Gray	1470nm	47	Gray
1310nm	31	Gray	1490nm	49	Purple
1330nm	33	Purple	1510nm	51	Blue
1350nm	35	Blue	1530nm	53	Green
1370nm	37	Green	1550nm	55	Yellow
1390nm	39	Yellow	1570nm	57	Orange
1410nm	41	Orange	1590nm	59	Red
1430nm	43	Red	1610nm	61	Brown

ABSOLUTE MAXIMUM RATINGS

Parameter	Symbol	Min	Max	Unit	Note
SupplyVoltage	Vc	-	4.	V	
StorageTemperature		-	8	°C	
RelativeHumidity		5	9	%	

Note: Stress in excess of the maximum absolute ratings can cause permanent damage to the module

GERERAL OPERATING CHARACTERISTICS

Parameter	Symbol	Min.	Typ	Max.	Unit	Note
DataRate			2.5		Gb/s	
SupplyVoltage	Vcc	3.13	3.3	3.47	V	
SupplyCurrent	Icc _s			300	mA	
OperatingCaseTemp.	Tc	0		70	°C	TOP-CWDM-XX-2.5-80



ELECTRICAL INPUT/OUTPUT CHARACTERISTICS

Transmitter

Parame		Symbol	Min.	Typ	Max.	Unit	Note
Diff.inputvoltageswing			120		820	mVpp	1
TxDisableinput	H	VIH	2.0		Vcc+0.3	V	
	L	VIL	0		0.8		
TxFaultoutput	H	VOH	2.0		Vcc+0.3	V	2
	L	VOL	0		0.8		
InputDiff.Impedance		Zin		100		Ω	

Receiver

Paramet		Symbol	Min.	Typ	Max.	Unit	Note
Diff.outputvoltageswing			340	650	800	mVpp	3
RxLOSOutput	H	VOH	2.0		Vcc+0.3	V	2
	L	VOL	0		0.8		

Note1)TD+/-are internally AC coupled with100Ω differential termination inside the module.

Note2)TxFault and RxLOS are open collector outputs, which should be pulled up with4.7k to 10kΩ resistors on the host board.Pull up voltage between2.0VandVcc+0.3V.

Note3)RD+/- outputs are internally AC coupled, and should be terminated with100Ω(differential)at the user SERDES.



OPTICAL CHARACTERISTICS

Transmitter

Parameter	Symbol	Min.	Typ	Max.	Unit	Note
OperatingWavelength	λ_c		X		nm	
Ave.outputpower(Enabled)	P	0		5	dBm	1
ExtinctionRatio	E	8.			dB	1
RMS spectralwidth	Δ			4	nm	
Rise/Falltime(20%~80%)	Tr/Tf			0.26	ps	2
OutputEyeMask	TelcordiaGR-253-COREandITU-TG.957compatible					

Note (1):Measure at2^7-1 NRZPRBS pattern

Note (2): Transmitter eye mask definition

Note (3):“XX”is:27,29,31,33,35,37,39,41,43,45,47,49,51,53,55,57,59and61;“Δλ”is 7.5

Receiver

Parameter	Symbol	Min.	Typ	Max.	Unit	Note
OperatingWavelength		1270		1610	nm	
Sensitivity	Psen			-28	dBm	3
Min.overload	Pimax	-10			dBm	
LOSAssert	P	-40			dBm	
LOSDe-assert	P			-29	dBm	
LOSHysteresis	Pd-Pa	0.5		6	dB	

Note1)Measured at10.3125b/swithPRBS231-1NRZ test pattern. Note2) 20%~80%

Note3) Under the ER worst case, measuredat10.3125Gb/s with PRBS231- 1NRZtest pattern for BER<1x10-12



Digital Diagnostic Functions

TOP-CWDM-XX-2.5-80 transceivers support the 2-wire serial communication protocol as defined in the SFPMSA. It is very closely related to the E2PROM defined in the GBIC standard, with the same electrical specifications.

The standard SFP serial ID provides access to identification information that describes the transceiver's capabilities, standard interfaces, manufacturer, and other information.

Additionally, TOP-CWDM-XX-2.5-80 transceivers provide a unique enhanced digital diagnostic monitoring interface, which allows real-time access to device operating parameters such as transceiver temperature, laser bias current, transmitted optical power, received optical power and transceiver supply voltage. It also defines a sophisticated system of alarm and warning flags, which alert send-users when particular operating parameters are outside of a factory set normal range.

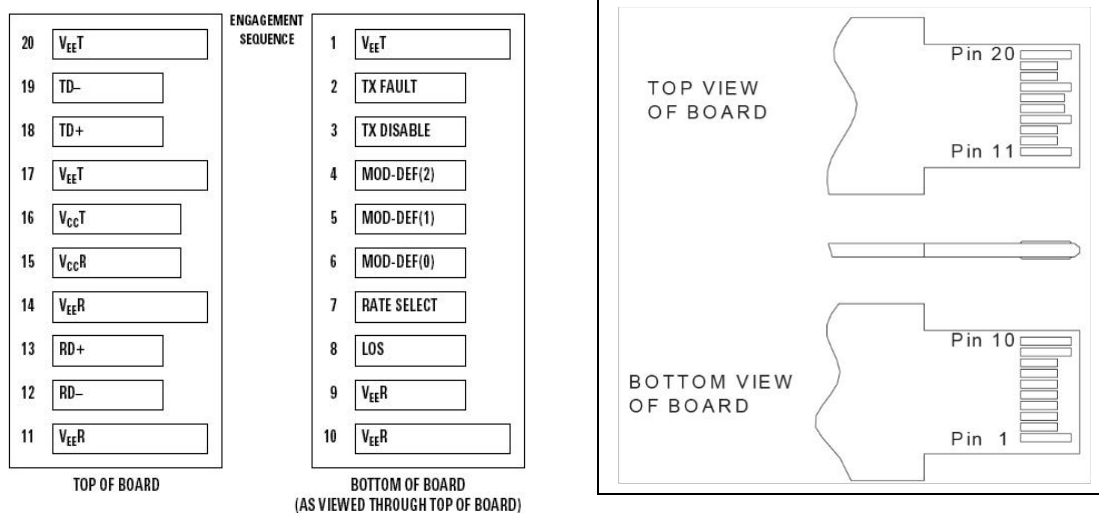
The SFPMSA defines a 256-byte memory map in E2PROM that is accessible over a 2-wire serial interface at the 8 bit address 1010000X(A0h). The digital diagnostic monitoring interface makes use of the 8 bit address 1010001X(A2h), so the originally defined serial ID memory map remains unchanged. The interface is identical to, and is thus fully backward compatible with both the GBIC Specification and the SFP Multi Source Agreement.

The operating and diagnostics information is monitored and reported by a Digital Diagnostics Transceiver Controller (DDTC) inside the transceiver, which is accessed through a 2-wire serial interface. When the serial protocol is activated, the serial clock signal (SCL, ModDef1) is generated by the host. The positive edge clocks data into the SFP transceiver into those segments of the E2PROM that are not write-protected. The negative edge clocks data from the SFP transceiver. The serial data signal (SDA, ModDef2) is bi-directional for serial data transfer. The host uses SDA in conjunction with SCL to mark the start and end of serial protocol activation. The memories are organized as a series of 8-bit data words that can be addressed individually or sequentially.

Digital diagnostics for the TOP-CWDM-XX-2.5-80 are Internally calibrated by default.



Pin Definitions and Functions



PIN #	Name	Function	Notes
1	VeeT	Module transmitter ground	Note1
2	Tx Fault	Module transmitter fault	Note 2
3	Tx Disable	Transmitter Disable; Turns off transmitter laser output	Note 3
4	SDL	2 wire serial interface data input/output (SDA)	
5	SCL	2 wire serial interface clock input (SCL)	
6	MOD-ABS	Module Absent, connect to VeeR or VeeT in the module	Note 2
7	RS0	Rate select0,optionally control SFP+ receiver. When high, input data rate >4.5Gb/s;when low, input data rate <=4.5Gb/s	
8	LOS	Receiver Loss of Signal Indication	Note4
9	RS1	Rate select0,optionally control SFP+ transmitter. When high, input data rate >4.5Gb/s;when low, input data rate <=4.5Gb/s	
10	VeeR	Module receiver ground	Note 1
11	VeeR	Module receiver ground	Note 1
12	RD-	Receiver inverted data out put	
13	RD+	Receiver non-inverted data out put	
14	VeeR	Module receiver ground	Note 1
15	VccR	Module receiver 3.3V supply	
16	VccT	Module transmitter 3.3V supply	
17	VeeT	Module transmitter ground	Note 1
18	TD+	Transmitter inverted data out put	
19	TD-	Transmitter non-inverted data out put	
20	VeeT	Module transmitter ground	Note1

Note1)The module ground pins shall be isolated from the module case.

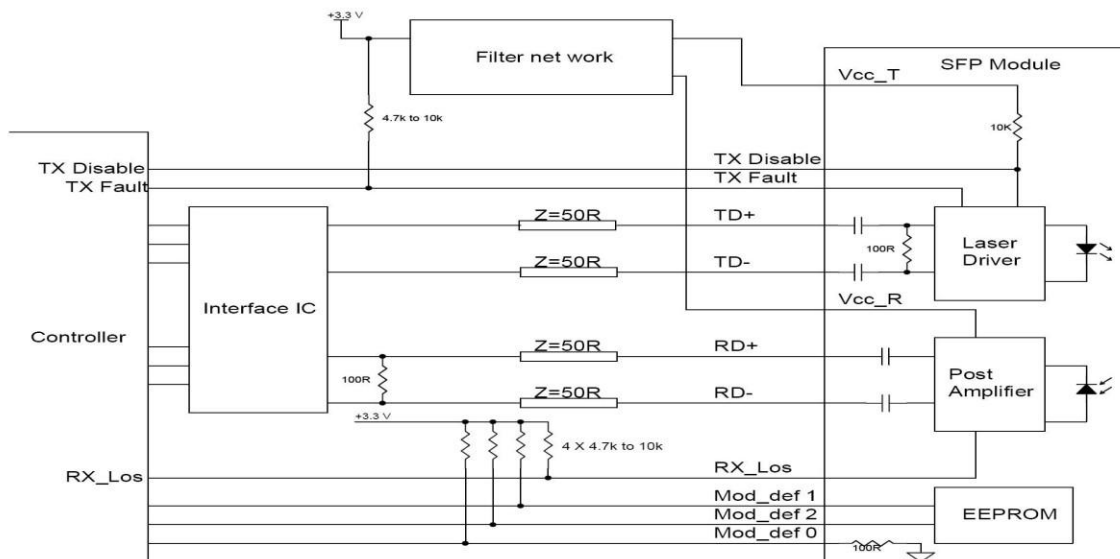
Note2)This pin is an open collector/drain output pin and shall be pulled up with 4.7K-10Kohmsto Host_Vcc on the host board.

Note3)This pin shall be pulled up with 4.7K-10Kohmsto VccT in the module.

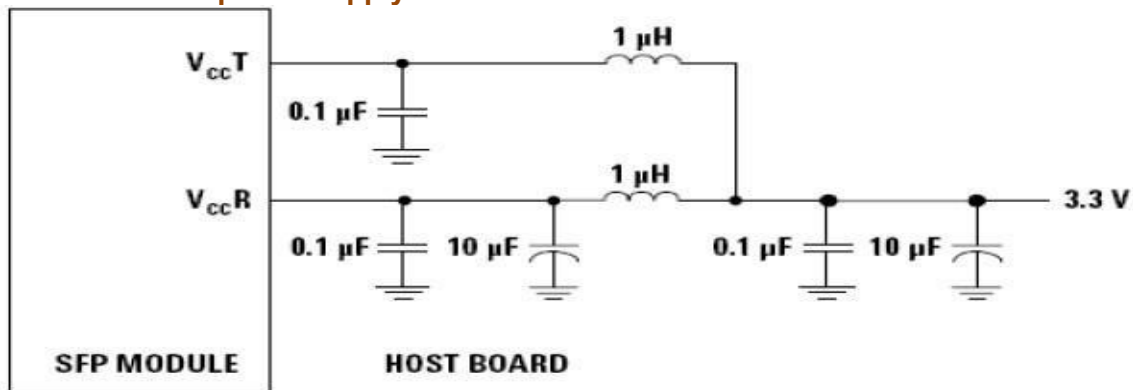
Note4)This pin is an open collector/drain output pin and shall be pulled up with 4.7K-10KohmstoHost_Vcc on the host board. In FC designated as RX_LOS,in SONET designated as LOS, and in Ethernet designated at Signal Detect.



TYPICAL INTERFACE CIRCUIT



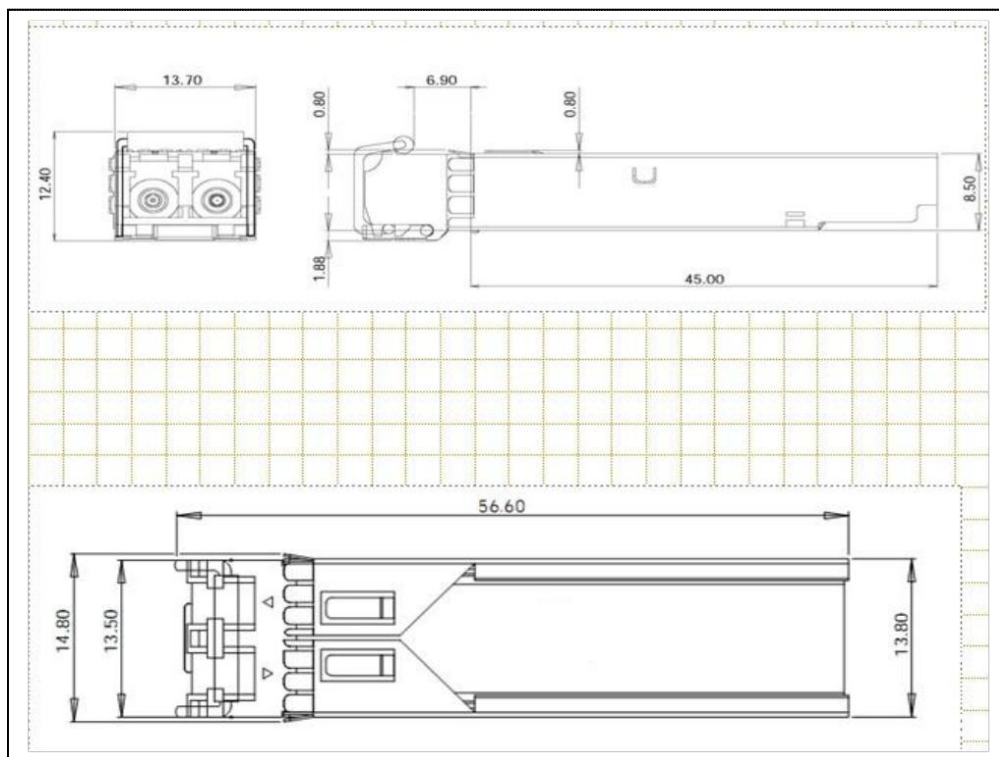
Recommended power supply filter



Note: Inductors with DC resistance of less than 1Ω should be used in order to maintain the required voltage at the SFP input pin with 3.3V supply voltage. When the recommended supply filtering network is used, hot plugging of the SFP transceiver module will result in an inrush current of no more than 30mA greater than the steady state value



PACKAGE DIMENSIONS





TOPSTAR TECHNOLOGY INDUSTRIAL CO., LIMITED

Topstar Technology Industrial Co., Ltd

**Add: F5, Rongcheng Building, 28 Yayuan Road Wuhe Community,
BanTian Street, Shenzhen, China**

Tel: +86 755 8255 2969 Email:lisa@topsfp.com

Skype: lisalin6565 Whatsapp: +86 13798265065

Wechat: 251081707

Facebook and Linked in: Topstar Technology Industrial Co., Ltd

