



TOPSTAR TECHNOLOGY INDUSTRIAL CO., LIMITED

## 产品规格书

## *Product Specification Sheet*

### TOP-SFP+-10G-40KM

RoHS Compliant 10Gb/s SFP+ 1550nm 40km Optical Transceiver



E-MAIL: [lisa@topsf.com](mailto:lisa@topsf.com)





## **PRODUCT FEATURES**

- Hot pluggable
- 10Gb/s serial optical interface
- Up to 40km on 9/125um SMF
- Compliant with SFP+ MSA
- SFP MSA package with duplex LC connector
- Digital Diagnostic Monitor Interface
- Very low EMI and excellent ESD protection
- High transmission margin
- +3.3V single power supply
- Below <1.5W power consumption
- Wide data-rate range

## **APPLICATIONS**

- 10G Base-ER/EW
- 10G Fiber Channel
- Other optical links

## **STANDARD**

- SFP+ MSA Compliant
- SFF-8472 reversion 9.5 compliant
- IEEE802.3-2005 compliant
- Telcordia GR-468-CORE compliant
- FCC 47 CFR Part 15, Class B compliant
- FDA 21 CFR 1040.10 and 1040.11, class1 compliant
- RoHS compliant

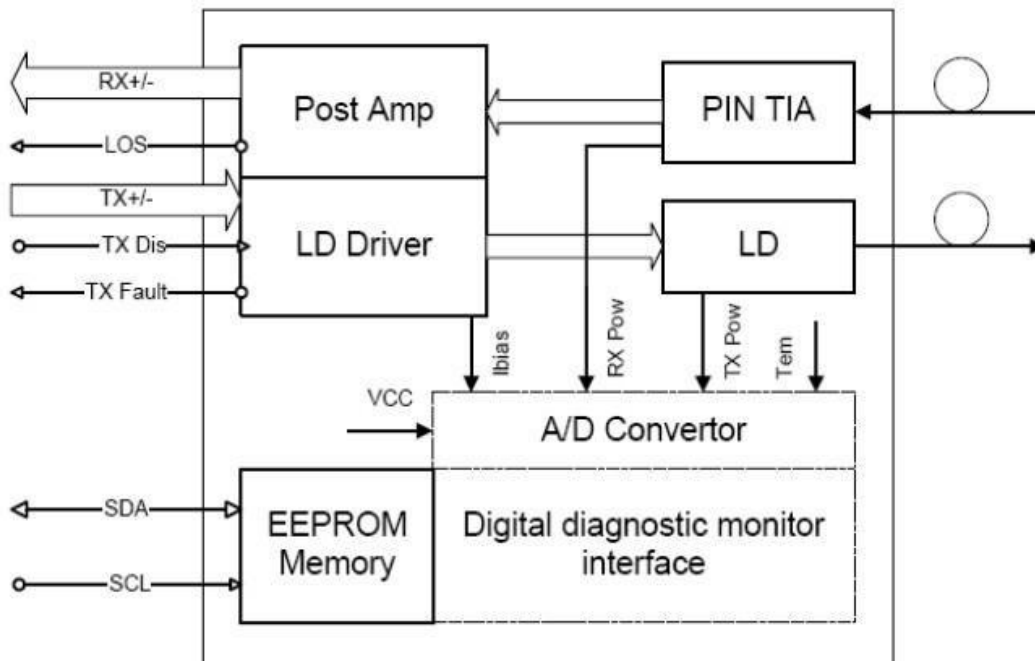
## **PRODUCT DESCRIPTIONS**

SFP+10G 40KM 1550nm optical transceivers are designed for 10Gb/s serial optical interfaces for data communications with single mode fiber (SMF). The



transceiver can support 1.25Gb/s to 11.1Gb/s. The transceiver designs are optimized for high performance and cost effective to supply customers the best solutions for datacom and storage applications.

### FUNCTIONAL DIAGRAM



### ABSOLUTE MAXIMUM RATINGS

Parameter	Symbol	Min.	Max.	Unit	Note
Supply Voltage	Vcc	-0.5	4.0	V	
Storage Temperature		-40	85	°C	
Relative Humidity			85	%	

Note: Stress in excess of the maximum absolute ratings can cause permanent damage to the module



## GENERAL OPERATING CHARACTERISTICS

Parameter	Symbol	Min.	Typ	Max.	Unit	Note
Data Rate	Ethernet		10.31		Gb/s	
	Fiber Channel		9.953			
Supply Voltage	Vcc	3.13	3.3	3.4	V	
	Vcc				V	
Supply Current	Icc5				mA	
	Icc3			450	mA	
Operating Case Temp.	Tc	0		70	°C	

## ELECTRICAL INPUT/OUTPUT CHARACTERISTICS

### Transmitter

Parameter	Symbol	Min.	Typ	Max.	Unit	Note
Diff. input voltage swing		120		820	mVp	1
Tx Disable input	H	VIH	2.0	Vcc+0.	V	
	L	VIL	0	0.8		
Tx Fault output	H	VO	2.0	Vcc+0.	V	2
	L	VOL	0	0.8		
Input Diff. Impedance	Zin		100		Ω	

### Receiver

Parameter	Symbol	Min.	Typ	Max.	Unit	Note
Diff. output voltage swing		340	650	800	mVp	3
Rx LOS Output	H	VO	2.0	Vcc+0.	V	2
	L	VOL	0	0.8		

Note 1) TD+/- are internally AC coupled with 100Ω differential termination inside the module.

Note 2) Tx Fault and Rx LOS are open collector outputs, which should be pulled up with 4.7k to 10kΩ resistors on the host board. Pull up voltage between 2.0V and Vcc+0.3V.

Note 3) RD+/- outputs are internally AC coupled, and should be terminated with 100Ω (differential) at the user SERDES.

## OPTICAL CHARACTERISTICS

### Transmitter (0~70 @10.3125Gb/s)

Parameter	Symbol	Min.	Typ	Max.	Unit	Note
Operating Wavelength			1550		nm	
Ave. output power (Enabled)	Po	-1		+2	dBm	1
Extinction Ratio	ER	8.5			dB	1
RMS spectral width	Δλ			1	nm	
Rise/Fall time (20%~80%)	Tr/Tf			50	ps	2



<b>Optical modulation amplitude</b>	OMA	-5.2				dBm	
<b>Dispersion penalty</b>					1	dB	
<b>Output Optical Eye</b>	IEEE 802.3-2005 Compliant						

**Receiver (-5~70 @10.3125Gb/s)**

Parameter	Symbol	Min.	Typ	Max.	Unit	Note
<b>Operating Wavelength</b>			1550		nm	
<b>Sensitivity</b>	Psen			-16	dBm	3
<b>Min. overload</b>	Pimax	-1			dBm	
<b>LOS Assert</b>	Pa	-30			dBm	
<b>LOS De-assert</b>	Pd			-18	dBm	
<b>LOS Hysteresis</b>	Pd-Pa	0.5		4	dB	

Note 1) Measured at 10.3125b/s with PRBS 231 – 1 NRZ test pattern.

Note 2) 20%~80%

Note 3) Under the ER worst case, measured at 10.3125 Gb/s with PRBS 231 - 1 NRZ test pattern for BER <1x10<sup>-12</sup>

**SERIAL INTERFACE FOR ID AND DDM**

The SFP modules implement the 2-wire serial communication protocol as defined in the SFP MSA. The serial ID information of the SFP modules and Digital Diagnostic Monitor parameters can be accessed through the I2C interface at address A0h and A2h. The memory is mapped in Table 1. Detailed ID information(A0h) is listed in Table 2. And the DDM specification(A2h) is described in Table 3. For more details of the memory map and byte definitions, please refer to the SFF-8472 (Rev 9.3, Aug. 2002), “Digital Diagnostic Monitoring Interface for Optical Transceivers”.

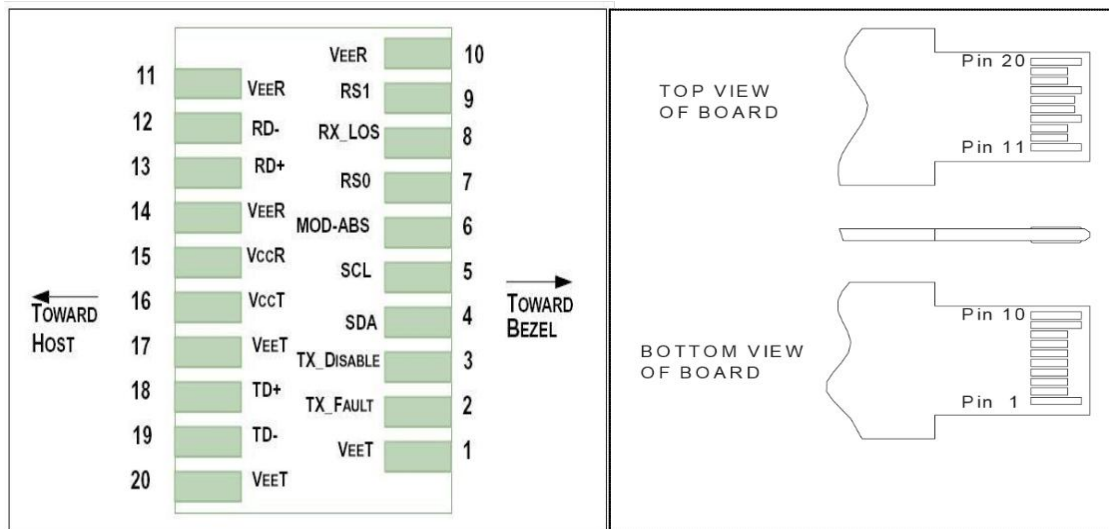
The DDM parameters have been internally calibrated.

Table 1. Digital Diagnostic Memory Map (Specific Data Field Descriptions)

2 wire address 1010000X ( <b>A0h</b> )		2 wire address 1010001X ( <b>A2h</b> )	
Address	Information	Address	Information
0~95	Serial ID Defined by SFP MSA (96 bytes)	0~55	Alarm and Warning Thresholds (56 bytes)
		56~95	Calibration Constants (40 bytes)
96~127	Vendor Specific (32 bytes)	96~119	Real Time Diagnostic Interface (24 bytes)
		120~127	Vendor Specific (8 bytes)
128~255	Reserved,SFF8079 (128 bytes)	128~247	User Writable EEPROM (120 bytes)
		248~255	Vendor Specific (8 bytes)



**PIN DEFINITIONS AND FUNCTIONS**



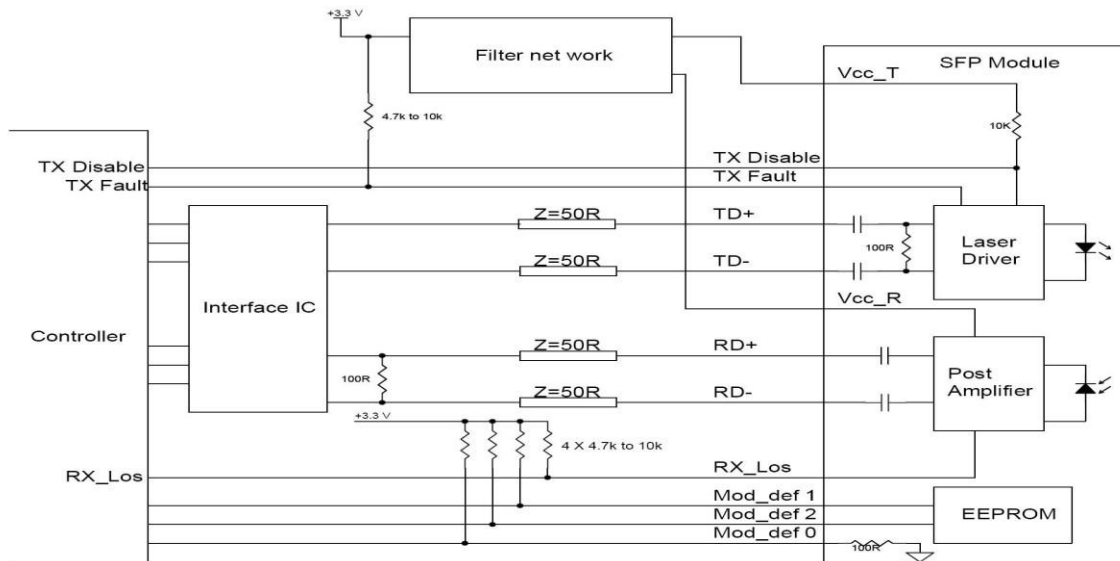
PIN #	Name	Function	Notes
1	VeeT	Module transmitter ground	Note1
2	Tx Fault	Module transmitter fault	Note 2
3	Tx Disable	Transmitter Disable; Turns off transmitter laser output	Note 3
4	SDL	2 wire serial interface data input/output (SDA)	
5	SCL	2 wire serial interface clock input (SCL)	
6	MOD-ABS	Module Absent, connect to VeeR or VeeT in the module	Note 2
7	RS0	Rate select0,optionally control SFP+ receiver. When high, input data rate >4.5Gb/s;when low, input data rate <=4.5Gb/s	
8	LOS	Receiver Loss of Signal Indication	Note4
9	RS1	Rate select0,optionally control SFP+ transmitter. When high, input data rate >4.5Gb/s;when low, input data rate <=4.5Gb/s	
10	VeeR	Module receiver ground	Note 1
11	VeeR	Module receiver ground	Note 1
12	RD-	Receiver inverted data out put	
13	RD+	Receiver non-inverted data out put	
14	VeeR	Module receiver ground	Note 1
15	VccR	Module receiver 3.3V supply	
16	VccT	Module transmitter 3.3V supply	
17	VeeT	Module transmitter ground	Note 1
18	TD+	Transmitter inverted data out put	
19	TD-	Transmitter non-inverted data out put	
20	VeeT	Module transmitter ground	Note1



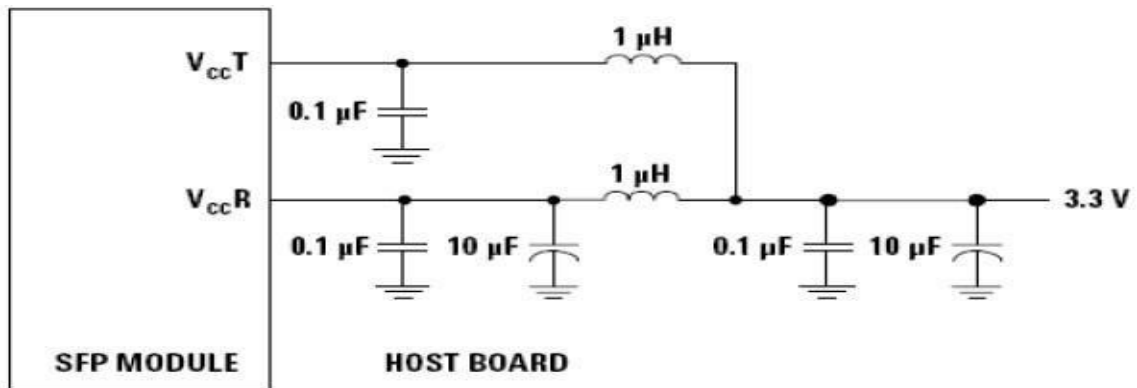


- Note 1) The module ground pins shall be isolated from the module case.
- Note 2) This pin is an open collector/drain output pin and shall be pulled up with 4.7K-10Kohms to Host\_Vcc on the host board.
- Note 3) This pin shall be pulled up with 4.7K-10Kohms to VccT in the module.
- Note 4) This pin is an open collector/drain output pin and shall be pulled up with 4.7K-10Kohms to Host\_Vcc on the host board. In FC designated as RX\_LOS, in SONET designated as LOS, and in Ethernet designated at Signal Detect.

**TYPICAL INTERFACE CIRCUIT**



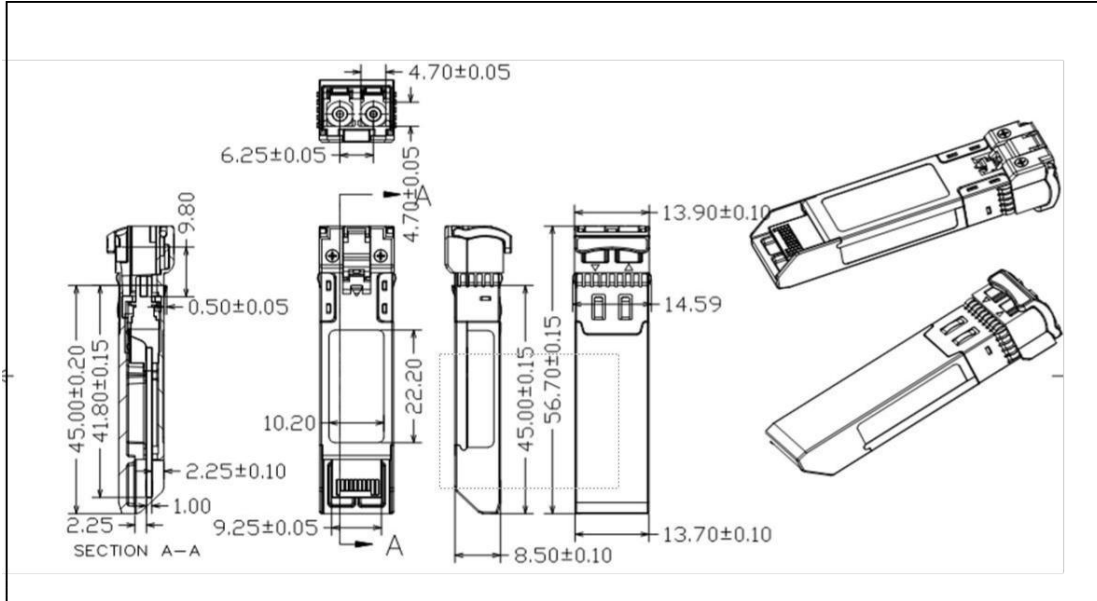
**Recommended power supply filter**



Note: Inductors with DC resistance of less than 1Ω should be used in order to maintain the required voltage at the SFP input pin with 3.3V supply voltage. When the recommended supply filtering network is used, hot plugging of the SFP transceiver module will result in an inrush current of no more than 30 mA greater than the steady state value



### PACKAGE DIMENSIONS



### ORDERING INFORMATION

Part Number	Description
TOP-SFP-10G-SR	SFP+ PLUS,10.3125Gbps, 850nm, 300M, 0~70°C, with DDM
TOP-SFP-10G-LR	SFP+ PLUS,10.3125Gbps,1310nm,10KM,0~70°C, with DDM
TOP-SFP-10G-LR SDH	SFP+ PLUS,10.3125Gbps,1310nm,10KM,for SDH,0~70°C, with DDM
TOP-SFP-10G-ER	SFP+ PLUS,10.3125Gbps,1550nm,40KM,0~70°C, with DDM
TOP-SFP-10G-ZR	SFP+ PLUS,10.3125Gbps,1550nm,80KM,0~70°C, with DDM





**TOPSTAR TECHNOLOGY INDUSTRIAL CO., LIMITED**

## **Topstar Technology Industrial Co., Ltd**

**Add: F5, Rongcheng Building, 28 Yayuan Road Wuhe Community,  
BanTian Street, Shenzhen, China**

**Tel: +86 755 8255 2969 Email: [lisa@topsfp.com](mailto:lisa@topsfp.com)**

**Skype: [lisalin6565](https://www.skype.com/people/lisalin6565) Whatsapp: +86 13798265065**

**Wechat: 251081707**

**Facebook and Linked in: Topstar Technology Industrial Co., Ltd**

