



TOPSTAR TECHNOLOGY INDUSTRIAL CO., LIMITED

# 产 品 规 格 书

## *Product Specification Sheet*

### TOP-BIDI-155M-80AD/BD

RoHS Compliant 155M 1490/1550nm(1550/1490nm) 80KM Transceiver



E-mali : [csale@topsf.com](mailto:csale@topsf.com)





## **PRODUCT FEATURES**

- Up to 155Mb/s data links
- DFB laser transmitter
- PIN photo-detector
- Up to 80KM on 9/125μm SMF
- Hot-pluggable SFP footprint
- BIDILC/UPC type pluggable optical interface
- Low power dissipation
- Metal enclosure, for lower EMI
- RoHS compliant and lead-free
- Single+3.3V power supply
- Support Digital Diagnostic Monitoring interface
- Compliant with SFF-8472
- Case operating temperature Commercial:0°Cto +70°C Extended:-10°Cto +80°C Industrial:-40°Cto+85°C

## **APPLICATIONS**

- Switch to Switch Interface
- Fast Ethernet
- Switched Backplane Applications
- Router/Server Interface
- Other Optical Links

## **STANDARD**

- SFP+MSA Compliant
- SFF-8472reversion9.5compliant
- IEEE802.3-2005compliant
- Telcordia GR-468-COREcompliant
- FCC47CFRPart15,ClassBcompliant
- FDA21CFR1040.10and1040.11,class1compliant
- RoHS compliant

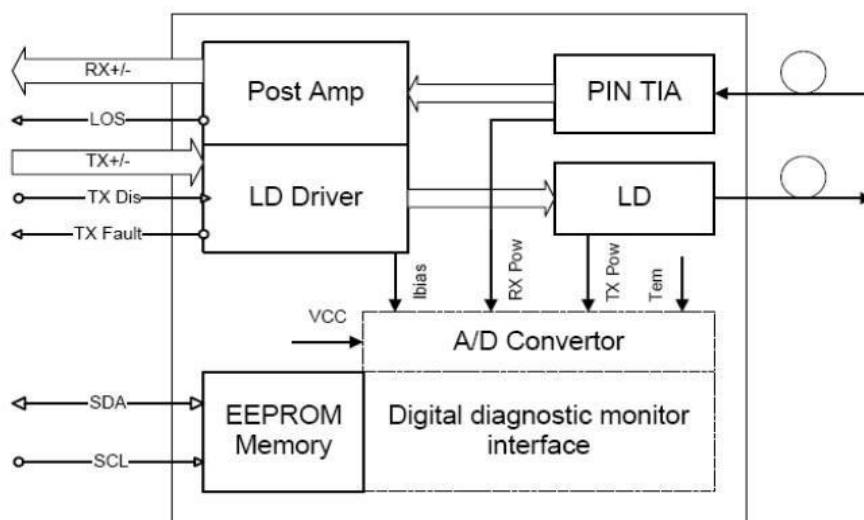


### PRODUCT DESCRIPTIONS

TOP-BIDI-155M-80AD/BD optical transceivers are designed for optical interfaces for data communications with

single mode fiber(SMF). The transceiver designs are optimized for high performance and cost effective to supply customers the best solutions for telecom applications.

### FUNCTIONAL DIAGRAM



### Ordering information

| ProductpartNumber       | Data Rate (Mbps) | Media            | Wavelength(nm)       | Transmission Distance(km) | TemperatureRange (Tcase) (°C) |            |
|-------------------------|------------------|------------------|----------------------|---------------------------|-------------------------------|------------|
|                         |                  |                  |                      |                           |                               |            |
| TOP-BIDI-155M-80AD/BD-c | 155              | Singlemode fiber | 1490/1550(1550/1490) | 80                        | 0~70                          | commercial |
| TOP-BIDI-155M-80AD/BD-e | 155              | Singlemode fiber | 1490/1550(1550/1490) | 80                        | -10~80                        | extended   |
| TOP-BIDI-155M-80AD/BD-i | 155              | Singlemode fiber | 1490/1550(1550/1490) | 80                        | -45~85                        | industrial |

### ABSOLUTE MAXIMUM RATINGS



| Parameter          | Symbol | Min. | Max. | Unit | Note |
|--------------------|--------|------|------|------|------|
| SupplyVoltage      | Vcc    | -0.5 | 4.0  | V    |      |
| StorageTemperature |        | -40  | 85   | °C   |      |
| RelativeHumidity   |        | 5    | 95   | %    |      |

Note: Stress in excess of the maximum absolute ratings can cause permanent damage to the module

### GERERAL OPERATING CHARACTERISTICS

| Parameter          | Symbol           | Min. | Typ | Max. | Unit | Note                    |
|--------------------|------------------|------|-----|------|------|-------------------------|
| DataRate           |                  |      | 155 |      | Mb/s |                         |
| SupplyVoltage      | Vcc              | 3.13 | 3.3 | 3.47 | V    |                         |
| SupplyCurrent      | Icc <sub>s</sub> |      |     | 280  | mA   |                         |
| OperatingCaseTemp. | Tc               | 0    |     | 70   | °C   | TOP-BIDI-155M-80AD/BD-c |
|                    |                  | -10  |     | 80   | °C   | TOP-BIDI-155M-80AD/BD-e |
|                    |                  | -40  |     | 85   | °C   | TOP-BIDI-155M-80AD/BD-i |

### ELECTRICAL INPUT/OUTPUT CHARACTERISTICS

#### Transmitter

| Parameter               | Symbol | Min. | Typ | Max.    | Unit | Note |
|-------------------------|--------|------|-----|---------|------|------|
| Diff.inputvoltage swing |        | 120  |     | 820     | mVpp | 1    |
| TxDisableinput          | H      | VIH  | 2.0 | Vcc+0.3 | V    |      |
|                         | L      | VIL  | 0   | 0.8     |      |      |
| TxFaultoutput           | H      | VOH  | 2.0 | Vcc+0.3 | V    | 2    |
|                         | L      | VOL  | 0   | 0.8     |      |      |
| InputDiff.Impedance     | Zin    |      | 100 |         | Ω    |      |

#### Receiver

| Parameter                | Symbol | Min. | Typ | Max.    | Unit | Note |
|--------------------------|--------|------|-----|---------|------|------|
| Diff.outputvoltage swing |        | 340  | 650 | 800     | mVpp | 3    |
| RxLOSOutput              | H      | VOH  | 2.0 | Vcc+0.3 | V    | 2    |
|                          | L      | VOL  | 0   | 0.8     |      |      |

Note1)TD+/- are internally AC coupled with 100Ω differential termination inside the module.

Note2)Tx Fault and RxLOS are open collector outputs, which should be pulled up with 4.7k to 10kΩ resistors on the host board. Pull up voltage between 2.0V and Vcc+0.3V.

Note3)RD+/- outputs are internally AC coupled, and should be terminated with 100Ω (differential) at the user SERDES.



### OPTICAL CHARACTERISTICS

#### Transmitter

| Parameter                | Symbol                                      | Min. | Typ  | Max. | Unit | Note |
|--------------------------|---|------|------|------|------|------|
| OperatingWavelength      | $\lambda_C$                                 | 1470 | 1490 | 1510 | nm   |      |
|                          |   | 1530 | 1550 | 1570 |      |      |
| Ave.outputpower(Enabled) | Po  | -5   |      | 0    | dBm  | 1    |
| ExtinctionRatio          | ER  | 8.2  |      |      | dB   | 1    |
| RMS spectralwidth        | $\Delta\lambda$                             |      |      | 4    | nm   |      |
| Rise/Falltime(20%~80%)   | Tr/Tf                                       |      |      | 0.26 | ps   | 2    |
| OutputEyeMask            | TelcordiaGR-253-COREandITU-TG.957compatible |      |      |      |      |      |

Note (1): Measurement at 2<sup>23</sup>-1 NRZ PRBS pattern

Note (2): Transmitter eye mask definition

#### Receiver

| Parameter           | Symbol | Min. | Typ  | Max. | Unit | Note |
|---------------------|--------|------|------|------|------|------|
| OperatingWavelength |        | 1530 | 1550 | 1570 | nm   |      |
|                     |        | 1470 | 1490 | 1510 |      |      |
| Sensitivity         | Psen   |      |      | -32  | dBm  | 3    |
| Min.overload        | Pimax  | -8   |      |      | dBm  |      |
| LOSAssert           | Pa     | -45  |      |      | dBm  |      |
| LOSDe-assert        | Pd     |      |      | -33  | dBm  |      |
| LOSHysteresis       | Pd-Pa  | 0.5  |      | 6    | dB   |      |

Note1) Measured at 10.3125Gb/s with PRBS231-1 NRZ test pattern. Note2) 20%~80%

Note3) Under the ER worst case, measured at 10.3125Gb/s with PRBS231-1 NRZ test pattern for BER < 1x10<sup>-12</sup>

### Digital Diagnostic Functions

TOP-BIDI-155M-80AD/BD transceivers support the 2-wire serial communication protocol as defined in the SFPMSA. It is very closely related to the E2PROM defined in the GBIC standard, with the same electrical specifications.

The standard SFP serial ID provides access to identification information that describes the transceiver's capabilities, standard interfaces, manufacturer, and other information.

Additionally, TOP-BIDI-155M-80AD/BD transceivers provide a unique enhanced digital diagnostic monitoring interface, which allows real-time access to device



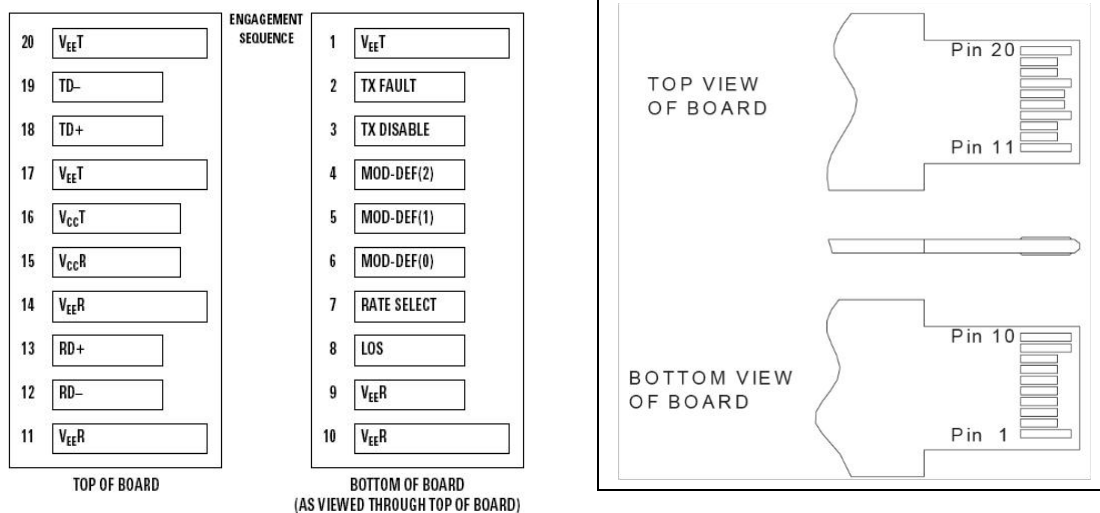
operating parameters such as transceiver temperature, laser bias current, transmitted optical power, received optical power and transceiver supply voltage. It also defines a sophisticated system of alarm and warning flags, which alerts end-users when particular operating parameters are outside of a factory set normal range.

The SFPMSA defines a 256-byte memory map in E2PROM that is accessible over a 2-wire serial interface at the 8 bit address 1010000X(A0h). The digital diagnostic monitoring interface makes use of the 8 bit address 1010001X(A2h), so the originally defined serial ID memory map remains unchanged. The interface is identical to, and is thus fully backward compatible with both the GBIC Specification and the SFP Multi Source Agreement.

The operating and diagnostics information is monitored and reported by a Digital Diagnostics Transceiver Controller (DDTC) inside the transceiver, which is accessed through a 2-wire serial interface. When the serial protocol is activated, the serial clock signal (SCL, ModDef1) is generated by the host. The positive edge clocks data into the SFP transceiver into those segments of the E2PROM that are not write-protected. The negative edge clocks data from the SFP transceiver. The serial data signal (SDA, ModDef2) is bi-directional for serial data transfer. The host uses SDA in conjunction with SCL to mark the start and end of serial protocol activation. The memories are organized as a series of 8-bit data words that can be addressed individually or sequentially.

Digital diagnostics for the TOP-BIDI-155M-80AD/BD are Internally calibrated by default.

### Pin Definitions and Functions







| PIN # | Name       | Function  | Notes  |
|-------|------------|---|--------|
| 1     | VeeT       | Module transmitter ground   | Note 1 |
| 2     | Tx Fault   | Module transmitter fault  | Note 2 |
| 3     | Tx Disable | Transmitter Disable; Turns off transmitter laser output   | Note 3 |
| 4     | SDL        | 2 wire serial interface data input/output (SDA)   |        |
| 5     | SCL        | 2 wire serial interface clock input (SCL)   |        |
| 6     | MOD-ABS    | Module Absent, connect to VeeR or VeeT in the module  | Note 2 |
| 7     | RS0        | Rate select0, optionally control SFP+ receiver. When high, input data rate >4.5Gb/s; when low, input data rate <=4.5Gb/s    |        |
| 8     | LOS        | Receiver Loss of Signal Indication  | Note 4 |
| 9     | RS1        | Rate select1, optionally control SFP+ transmitter. When high, input data rate >4.5Gb/s; when low, input data rate <=4.5Gb/s |        |
| 10    | VeeR       | Module receiver ground  | Note 1 |
| 11    | VeeR       | Module receiver ground  | Note 1 |
| 12    | RD-        | Receiver inverted data out put  |        |
| 13    | RD+        | Receiver non-inverted data out put  |        |
| 14    | VeeR       | Module receiver ground  | Note 1 |
| 15    | VccR       | Module receiver 3.3V supply   |        |
| 16    | VccT       | Module transmitter 3.3V supply  |        |
| 17    | VeeT       | Module transmitter ground   | Note 1 |
| 18    | TD+        | Transmitter inverted data out put   |        |
| 19    | TD-        | Transmitter non-inverted data out put   |        |
| 20    | VeeT       | Module transmitter ground   | Note 1 |

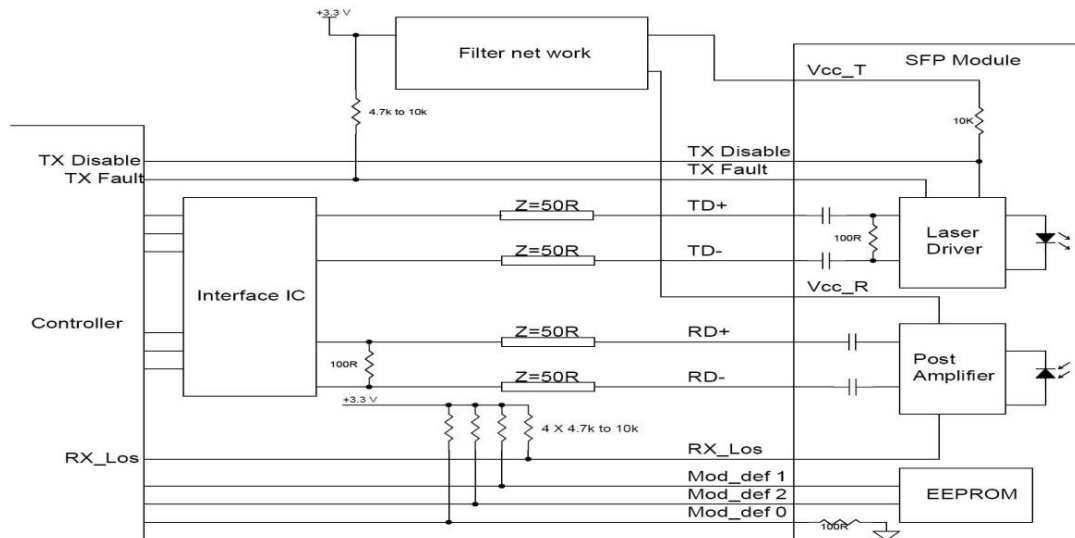
Note1) The module ground pins shall be isolated from the module case.

Note2) This pin is an open collector/drain output pin and shall be pulled up with 4.7K-10Kohmsto Host\_Vcc on the host board.

Note3) This pin shall be pulled up with 4.7K-10Kohmsto VccT in the module.

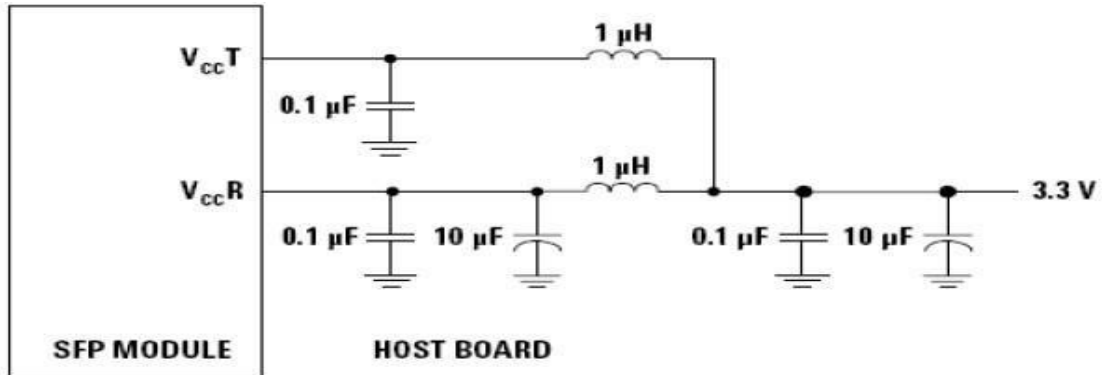
Note4) This pin is an open collector/drain output pin and shall be pulled up with 4.7K-10KohmstoHost\_Vcc on the host board. In FC designated as RX\_LOS, in SONET designated as LOS, and in Ethernet designated at Signal Detect.

### TYPICAL INTERFACE CIRCUIT



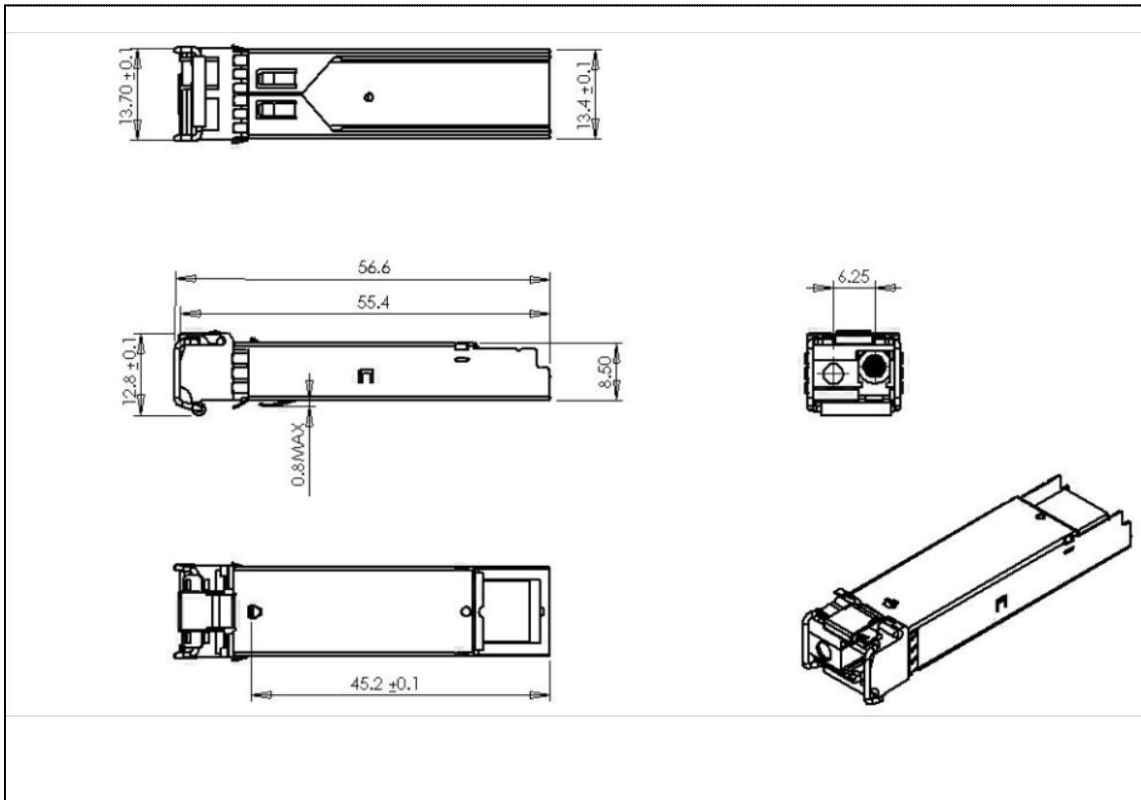


### Recommended power supply filter



Note: Inductors with DC resistance of less than  $1 \Omega$  should be used in order to maintain the required voltage at the SFP input pin with 3.3V supply voltage. When the recommended supply filtering network is used, hot plugging of the SFP transceiver module will result in an inrush current of no more than 30mA greater than the steady state value

### PACKAGE DIMENSIONS







**TOPSTAR TECHNOLOGY INDUSTRIAL CO., LIMITED**

## **Topstar Technology Industrial Co., Ltd**

**Add: F5, Rongcheng Building, 28 Yayuan Road Wuhe Community, BanTian Street, Shenzhen, China**

**Tel: +86 755 8255 2969 Email: [lisa@topsfp.com](mailto:lisa@topsfp.com)**

**Skype: [lisalin6565](https://www.skype.com/user/lisalin6565) Whatsapp: +86 13798265065**

**Wechat: 251081707**

**Facebook and Linked in: Topstar Technology Industrial Co., Ltd**

